

SCF-53.5Z

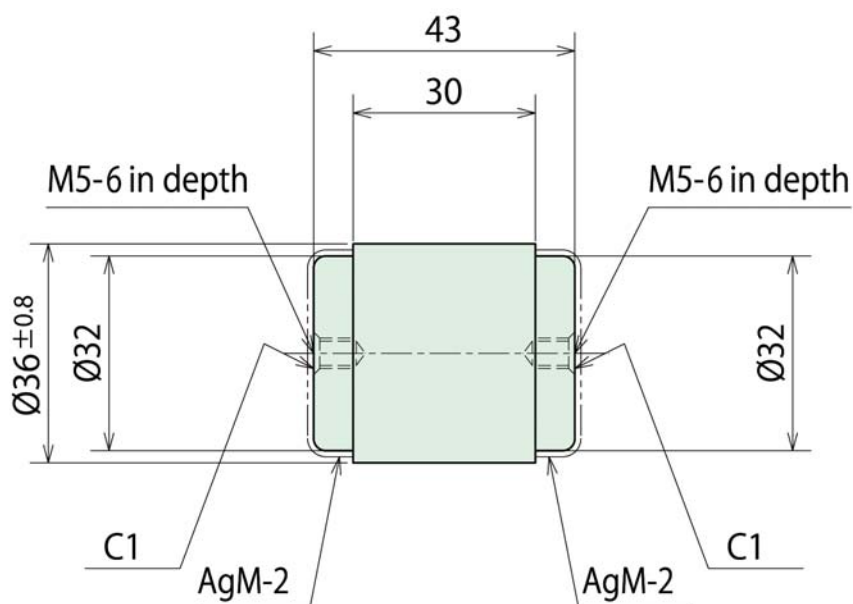
Fixed Type Vacuum Capacitor(FS36 Type)

Specification

| | |
|--------------------|-----------------------------------|
| Peak Test Voltage | 5 kV,peak (at 50,60 Hz/ 1 minute) |
| RF Working Voltage | 3 kV,peak (at 13.56 MHz) |
| Capacitance | 350 pF |
| Maximum Current | 50 A,rms (at 13.56 MHz) |
| Total Length | 43 mm |
| Outer Diameter | φ36 mm |
| Mounting Length | 43 mm |
| Weight | 0.14 kg |

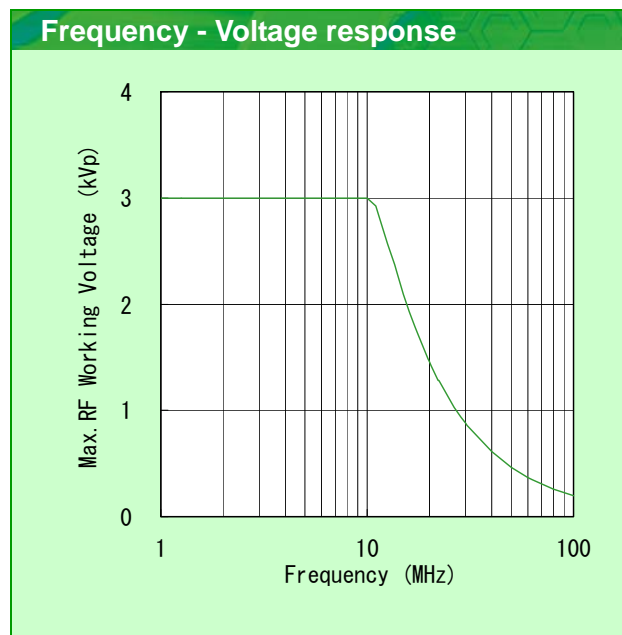
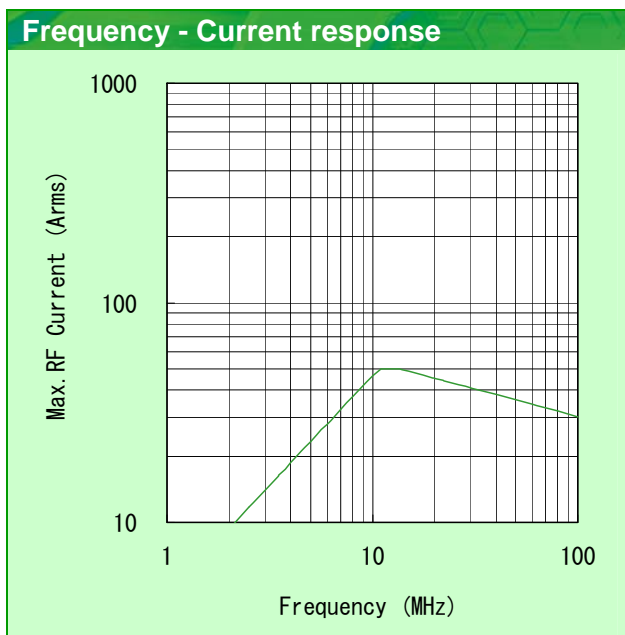


Drawing



SCF-53.5Z

Fixed Type Vacuum Capacitor(FS36 Type)



Notice:

- Current collecting system: Capacitor both-end full-face collection.
- Cooling System: Convection.
- Permissible surface temperature: 125°C.
(The surface temperature changes with current collecting conditions and ambient temperature.)
- Ambient temperature: 25°C.

MEIDENSHA CORPORATION

ThinkPark Tower 2-1-1 Oosaki, Shinagawa-ku, Tokyo, 141-6029 Japan

Phone: 81-3-6420-7510 Facsimile: 81-3-5745-3053 URL: www.meidensha.co.jp